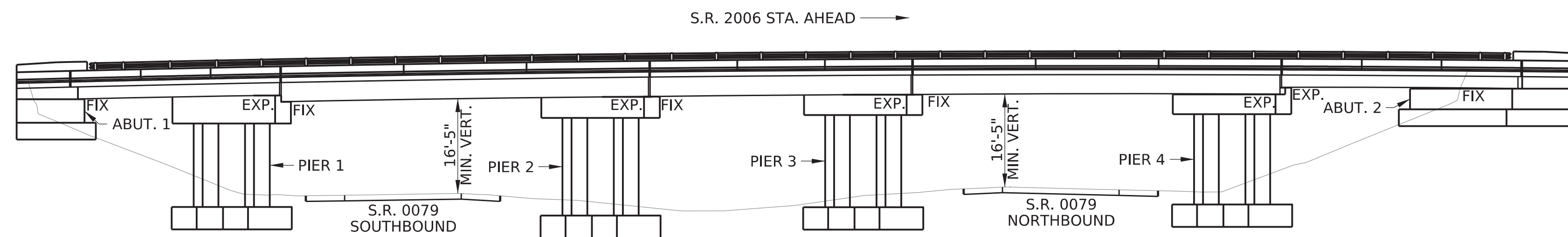
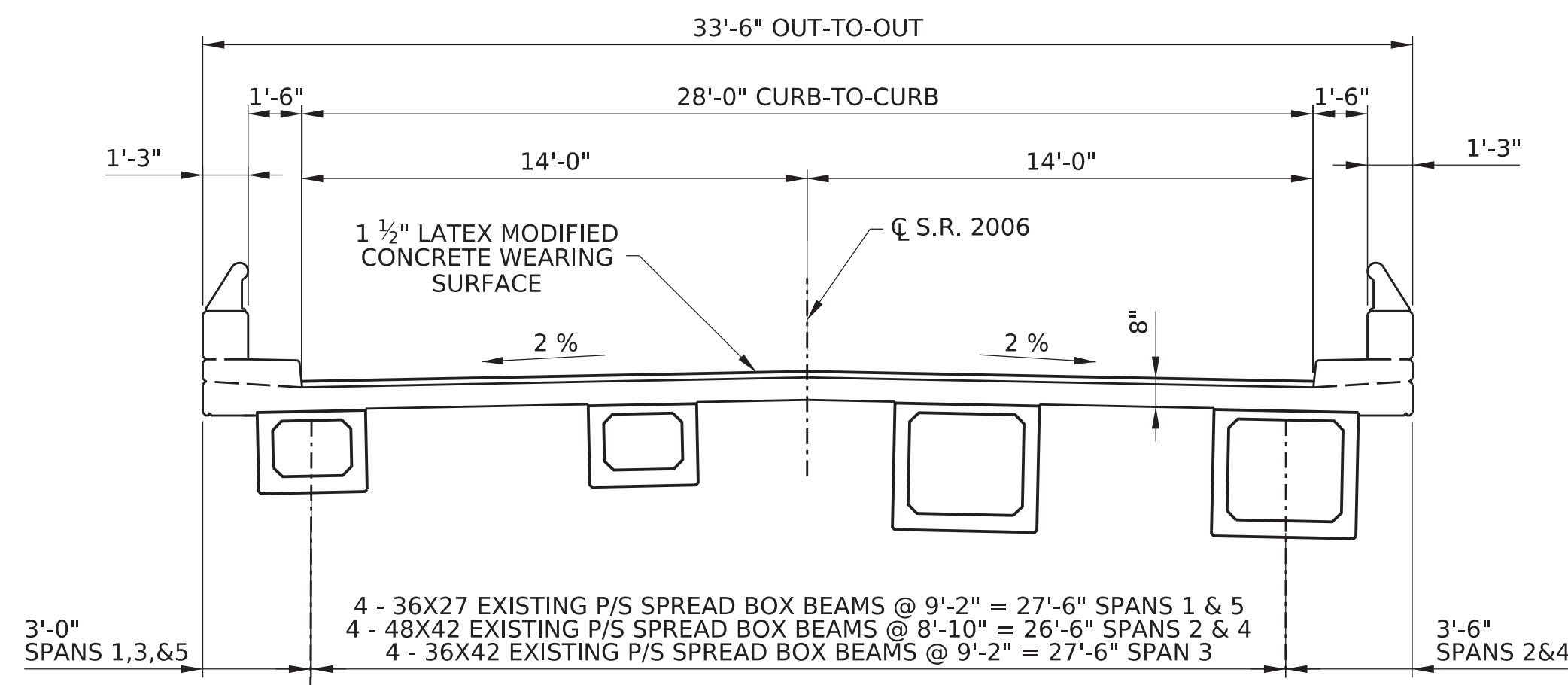


GENERAL PLAN



ELEVATION



PROPOSED TYPICAL SECTION

(LOOKING STATIONS AHEAD)



GENERAL NOTES

- DESIGN SPECIFICATIONS: AASHTO DESIGN DIVISION, LRFD BRIDGE DESIGN SPECIFICATIONS, 8TH EDITION, 2017 AND AS SUPPLEMENTED BY DESIGN MANUAL PART 4, DECEMBER 2019 EDITION (INCLUDING REVISIONS).
- PROVIDE MATERIALS AND PERFORM WORK IN ACCORDANCE WITH THE PENNSYLVANIA DEPARTMENT OF TRANSPORTATION SPECIFICATIONS PUBLICATION 408 INCLUDING CURRENT SUPPLEMENT AND CONTRACT SPECIAL PROVISIONS.
- BEAM ANALYSIS PERFORMED IN ACCORDANCE WITH THE LFD METHOD.
- DESIGN LIVE LOADS:
-HS-20 AND P-82

**PRELIMINARY
NOT FOR
CONSTRUCTION**

Mark	Description	By	Chk'd	Recm'd.	Date
REVISIONS					

S.R. 2006 PREVIOUSLY KNOWN AS L.R. 43024
 BMS STR ID: 43-2006-0010-1975 MPMS/ECMS PROJ: 1975 BRKEY: 25950

**COMMONWEALTH OF PENNSYLVANIA
DEPARTMENT OF TRANSPORTATION**

**MERCER COUNTY
S.R. 2006 SECTION B00
SEGMENT 0010 OFFSET 1975
STA. 20+64
OVER S.R. 0079 NB & SB
STRUCTURE REHABILITATION
TYPE, SIZE, AND LOCATION**

RECOMMENDED _____

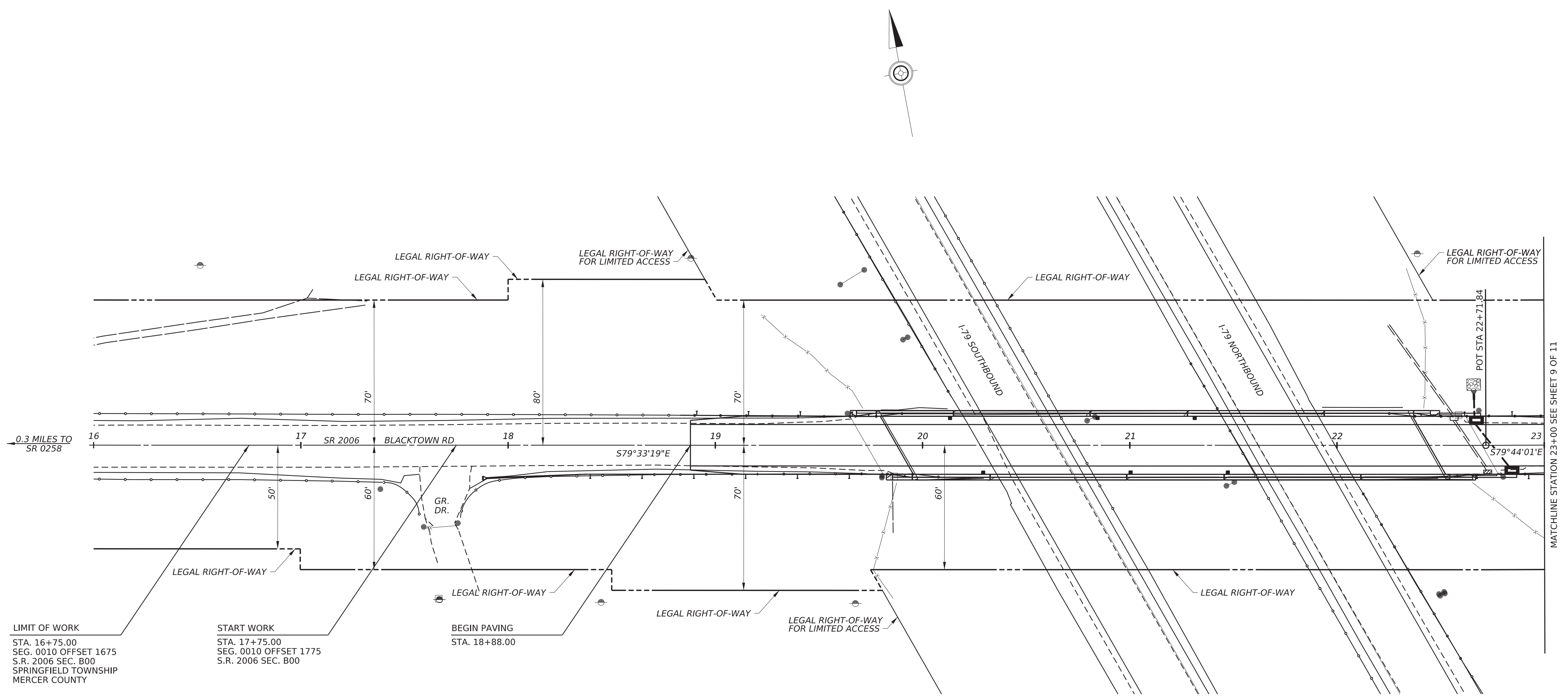
 BRIDGE ENGINEER

SHEET 1 OF 1
S - 42721

PLOTTED: 17-DEC-2024 09:00

OPERATOR: robewood
FILE NAME: pw://PDEDCPRAPPW01.penn.dot\dot\Connect_P\Projects\Documents\OpenRoads_Projects\01\43-Mercer\43 2006 B00 (1925)\DESIGN\Roadway\CADD Files\43 2006 B00_xPLANx.dgn

DISTRICT	COUNTY	ROUTE	SECTION	SHEET
1-0	MERCER	2006	B00	8 OF 11
SPRINGFIELD TOWNSHIP				
REV NO	REVISIONS	DATE	BY	APPD



0.3 MILES TO
SR 0258

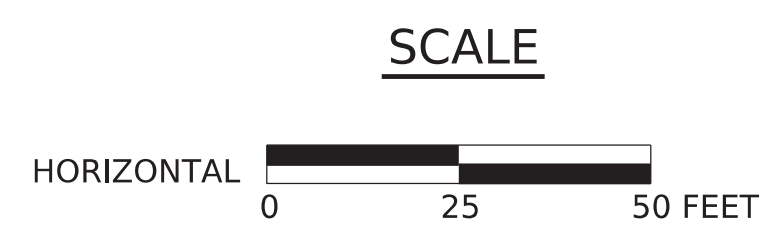
LIMIT OF WORK
 STA. 16+75.00
 SEG. 0010 OFFSET 1675
 S.R. 2006 SEC. B00
 SPRINGFIELD TOWNSHIP
 MERCER COUNTY

START WORK
 STA. 17+75.00
 SEG. 0010 OFFSET 1775
 S.R. 2006 SEC. B00

BEGIN PAVING
 STA. 18+88.00

MATCHLINE STATION 23+00 SEE SHEET 9 OF 11

**PRELIMINARY
NOT FOR
CONSTRUCTION**



LEGEND

	ROCK, CLASS R-4
	PROPOSED INLET
	EXISTING PIPE
	PROPOSED PIPE
	PROPOSED END SECTION

